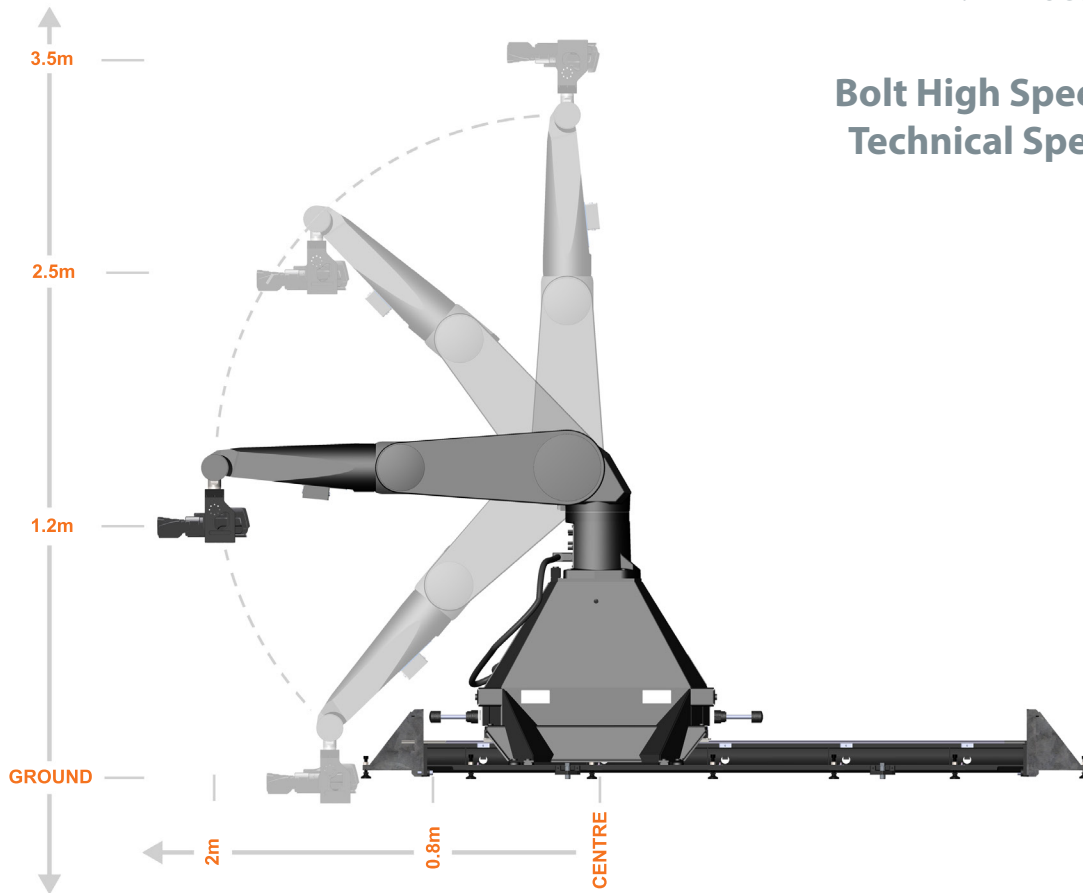


## Bolt High Speed Cinebot Technical Specifications



### Operating Envelope

Maximum Height (with level head)	2.45m
Lowest position	.0m
Maximum reach (from rotate centre)	2m

### Rig Dimensions (for clearances)

Height	1.8m
Base width (with wheel limits)	1.4m

### Rig Performance

Axis	Range of Travel	Maximum Speeds
Track	Unlimited	4 metres per second
Rotate	+/- 160 degrees	240 degrees per second
Lift	+/- 137 degrees	238 degrees per second
Arm	+/- 150 degrees	313 degrees per second
Pan	+/- 270 degrees	315 degrees per second
Tilt	+/- 120 degrees/-105 degrees	350 degrees per second
Roll	+/- 270 degrees	870 degrees per second

### Rig Weights

	<b>Kg</b>	<b>Lbs</b>
Bolt rig	800	948
Flair console flight case	40	88
Maximum camera payload	28	61
Each 3m track	105	231

### Rig Fixings

Because of the harsh acceleration and deceleration, the track sections of the rig must be bolted into a solid base or fixture. For studios, we drill four 15mm holes to a depth of 65mm for each length of track. Various counter weight systems can be used for location shooting.

### Power Connection

Power requirements: 3x 400Volts, Frequency 50-60 Hz

Generator: 3000 VA-120 kA

Please note: Mr Moco Rentals reserves the right to change these specifications without notice.  
Spec dimensions dependent on type and size of camera used on the rig.