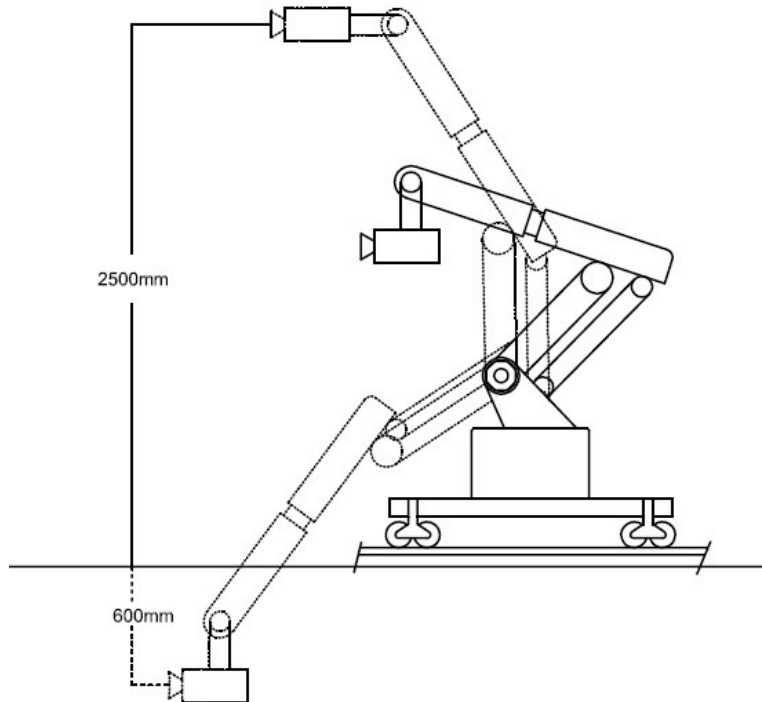




MOTOMAN 7 MOTION CONTROL ROBOT technical specifications



7 Axes giving...	Pan tilt roll jib swing track
Nodal programming possible	Nodal pan/tilt/roll for most cameras
Maximum lens height	2.5m above ground level
Minimum lens height	0.6m below ground level
Maximum track length	50m
Movement perpendicular to tracks	Approx 2m
Maximum track speed	1.2 m/sec
Minimum track speed	0.1 mm/sec or 6mm/minute
Maximum arm speed	1.5 m/sec
Accuracy	0.1mm and 1/100 th sec
Rig weight	600kg
Rig width	1.4m
Power Supply	380V / 3 phase / 15kVA