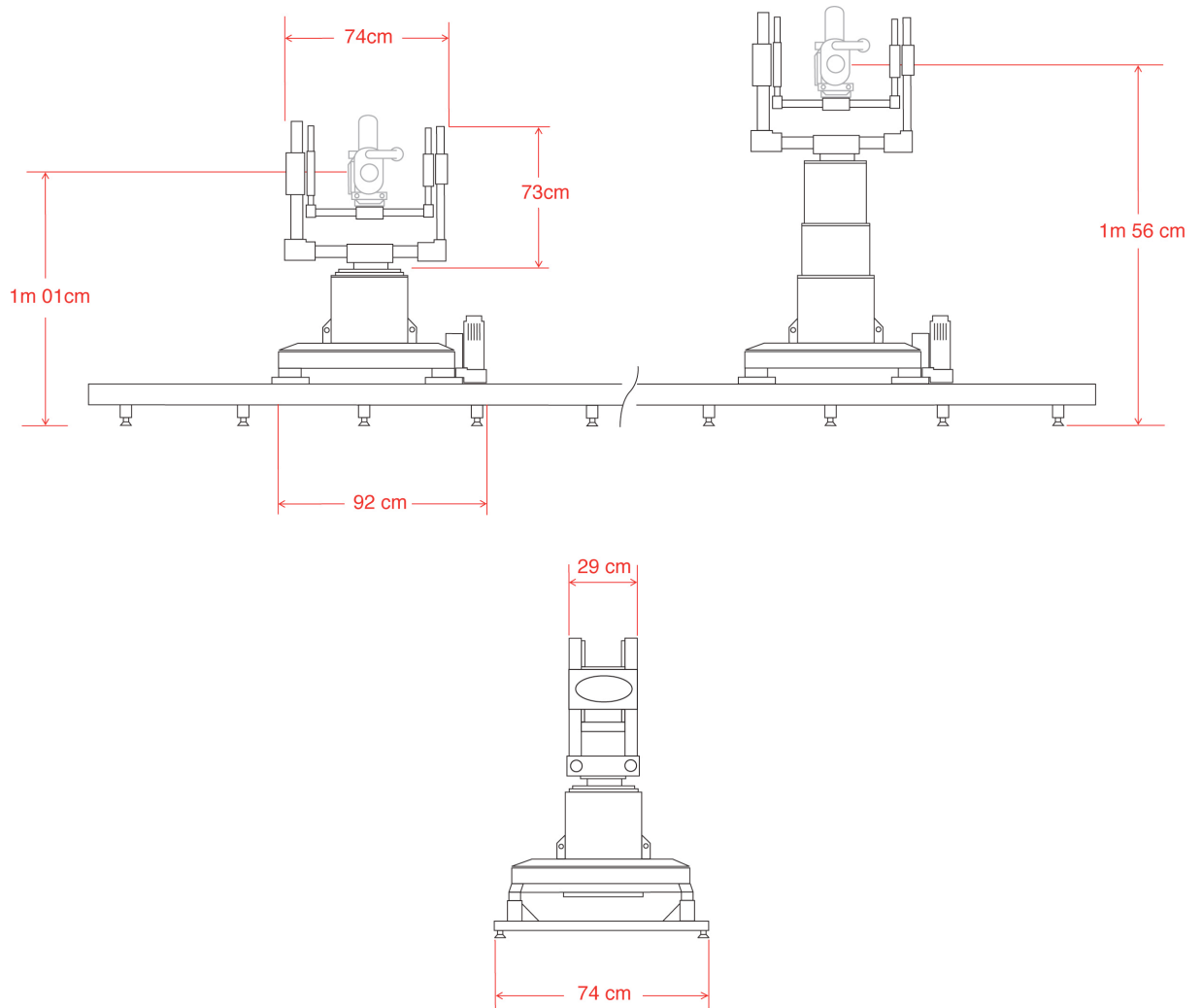


SPROG TECHNICAL SPECIFICATIONS



OPERATING RANGES

STANDARD CONFIGURATION

MAX HEIGHT

5' 1.5" (156cm)

MINIMUM HEIGHT

3' 3.5" (101cm)

CLEARANCES

MINIMUM RIG WIDTH FOR DOOR CLEARANCE (ON RAIL)

2' 5" (74cm)

SIZES

RIG LENGTH

3' 1" (94cm)

RIG WIDTH

2' 3.5" (70cm)

MINIMUM RIG HEIGHT (ON RAIL)

4' 3" (130cm)

MAXIMUM AXIS SPEEDS: (guide only)

TRACK	UP TO 3.5m/ sec (Acceleration up to 1.2m/sec/sec)
LIFT	UP TO 55 cm / sec
PAN	UP TO 120 deg / sec
TILT	UP TO 120 deg / sec

AMOUNT OF TRAVEL

TRACK	AS REQUIRED
LIFT	55 cm
PAN	UNLIMITED
TILT	UNLIMITED
FOCUS	AS REQUIRED
ZOOM	AS REQUIRED

WEIGHTS AND RAILS

DOLLY BASE	33.0Kg
LIFT COLUMN	38.5Kg
ULTI HEAD	30.0Kg
APPROX TOTAL WEIGHT (NO RAILS)	101.5Kg
MAXIMUM CAMERA LOAD	35Kg

RAIL LENGTH	OPTIONS	9' 10" (300cm) 7' 0" (213cm) 4' 0" (122cm)
RAIL WIDTH		2' 5" (74cm)
RAIL HEIGHT		7" (18cm)
RAIL WEIGHTS		300cm = 50Kg 213cm = 35Kg 122cm = 20Kg
PC AND OPERATING DESK		40Kg

POWER REQUIREMENTS

MAINS:	230V AC Single phase (50 – 60 Hz) from 1 x domestic 13 Amp socket or equivalent.
GENERATOR:	3.5 KVA (minimum) earthed to "TN-S" standard (earth and neutral connected together at source and a suitable earth spike driven into the ground) (for location shooting)